

SERIES 101



Geared Hydropower

SERIES 101

Specification

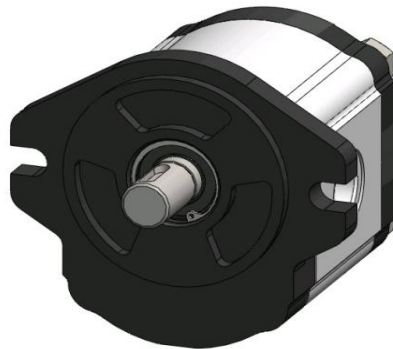
1) displacement from 2cc to 20cc

2) optional

3) low noise
various
and pressure

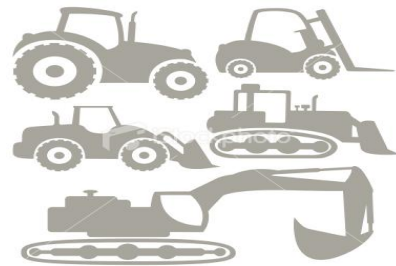
5) rated for a
continuous

6)



direction (clock or counter clock)

level at
speeds



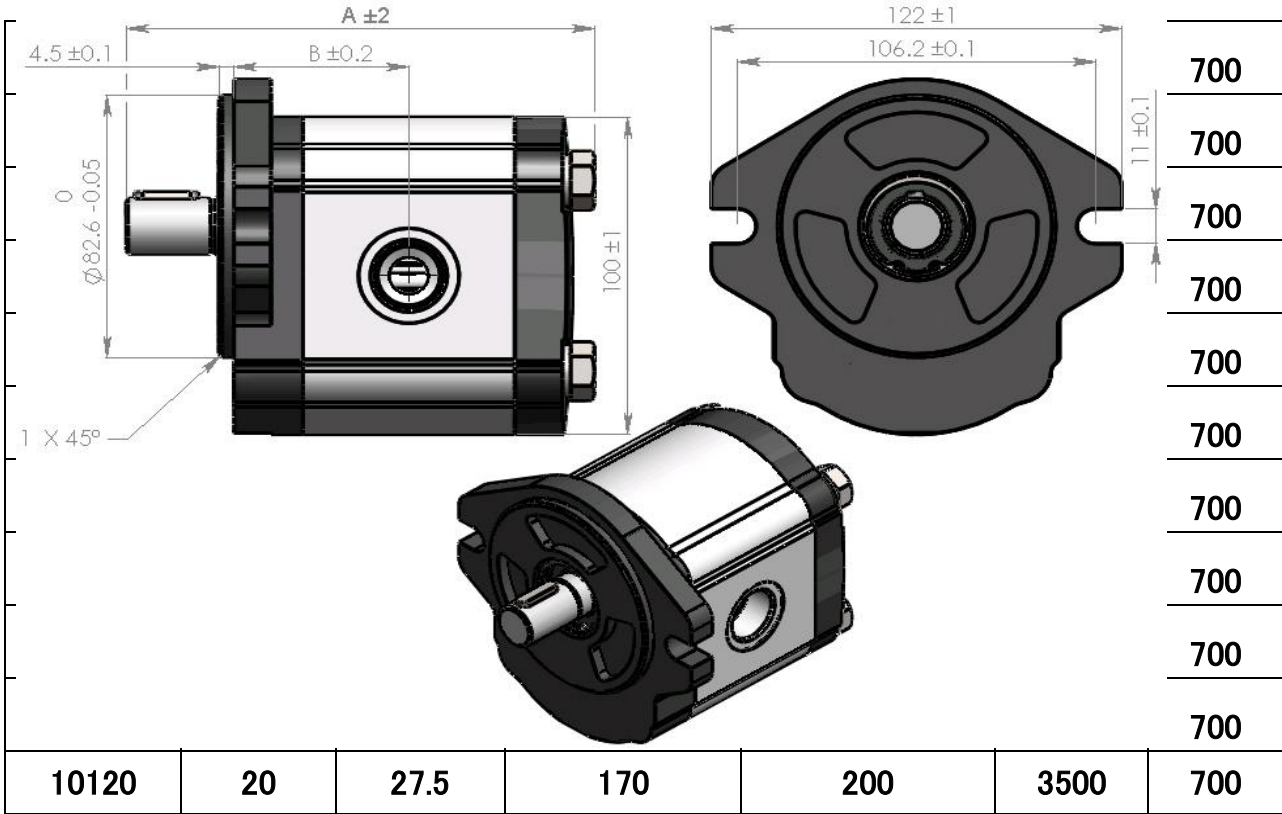
pressure

recommended for construction equipments,

Product code	CC/rev	LPM at 1500 RPM	Continuous pressure (P1)	Intermittent pressure (P2)	Max shaft speed	Min shaft speed
--------------	--------	-----------------	--------------------------	----------------------------	-----------------	-----------------

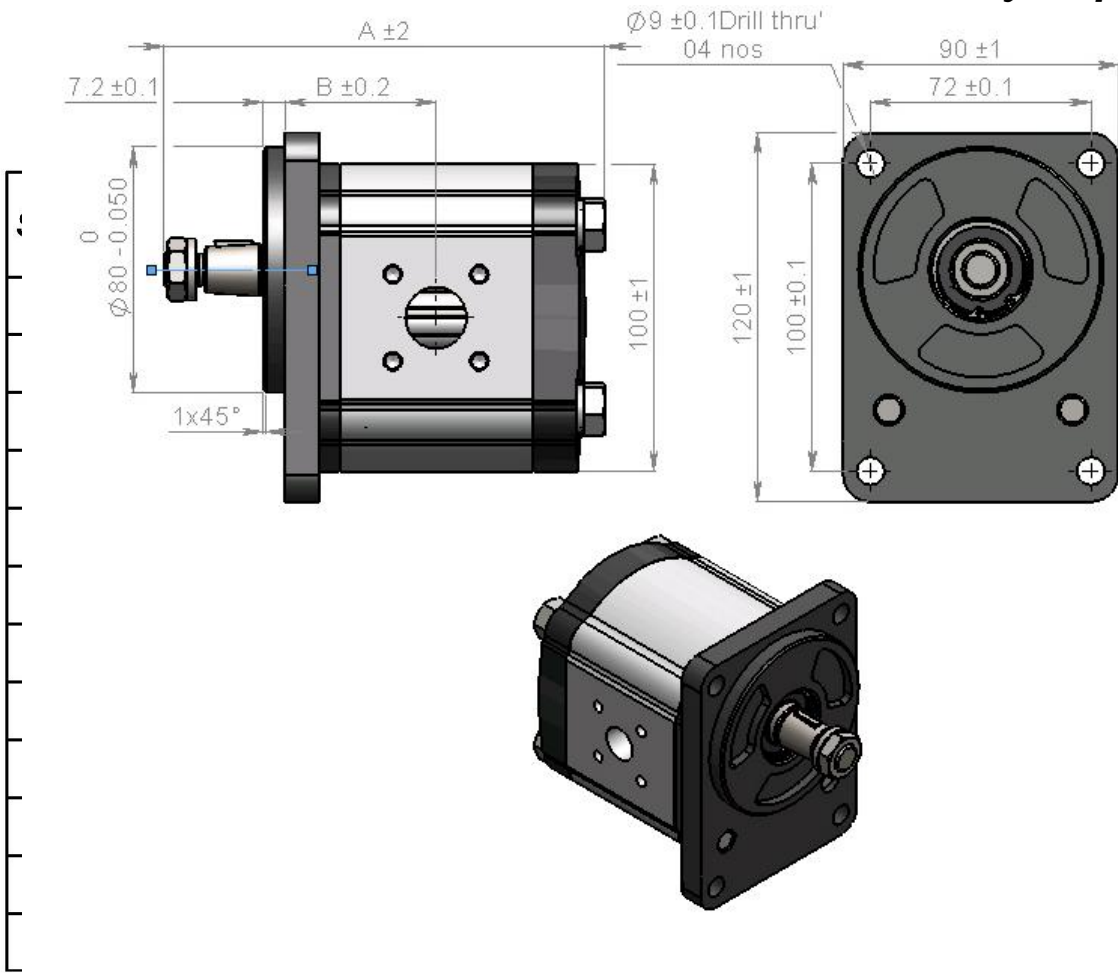
power units

Geared Hydropower



Specifications, descriptions, and dimensional or change without notice or incurring obligation.

Geared Hydropower

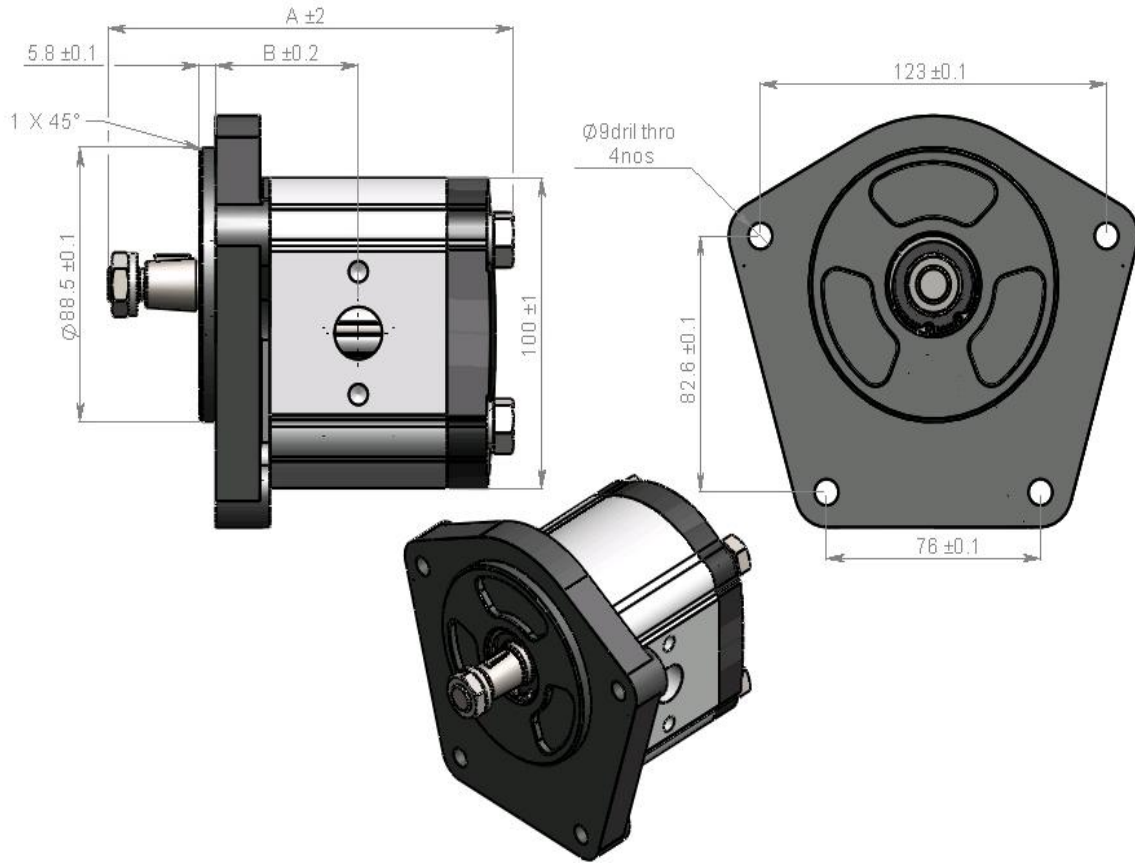


Geared Hydropower

<i>Sl no.</i>	<i>Pump code no.</i>	<i>Pump in CC</i>	<i>INLET port in mm</i>	<i>OUTLET port in mm</i>	<i>'A' in mm</i>	<i>'B' in mm</i>
1	10102	2	Ø20	Ø15	129.1	45.8
2	10103	3	Ø20	Ø15	131.1	46.8
3	10104	4	Ø20	Ø15	133.1	47.8
4	10105	5	Ø20	Ø15	135.1	48.8
5	10106	6	Ø20	Ø15	137.1	49.8
6	10108	8	Ø20	Ø15	141.1	49.5
7	10109	9	Ø20	Ø15	143.1	52.8
8	10111	11	Ø20	Ø15	147.1	53.8
9	10113	13	Ø20	Ø15	153.1	55.8
10	10116	16	Ø20	Ø15	158.1	58.3
11	10118	18	Ø20	Ø15	162.1	60.3
12	10120	20	Ø20	Ø15	166.1	62.3

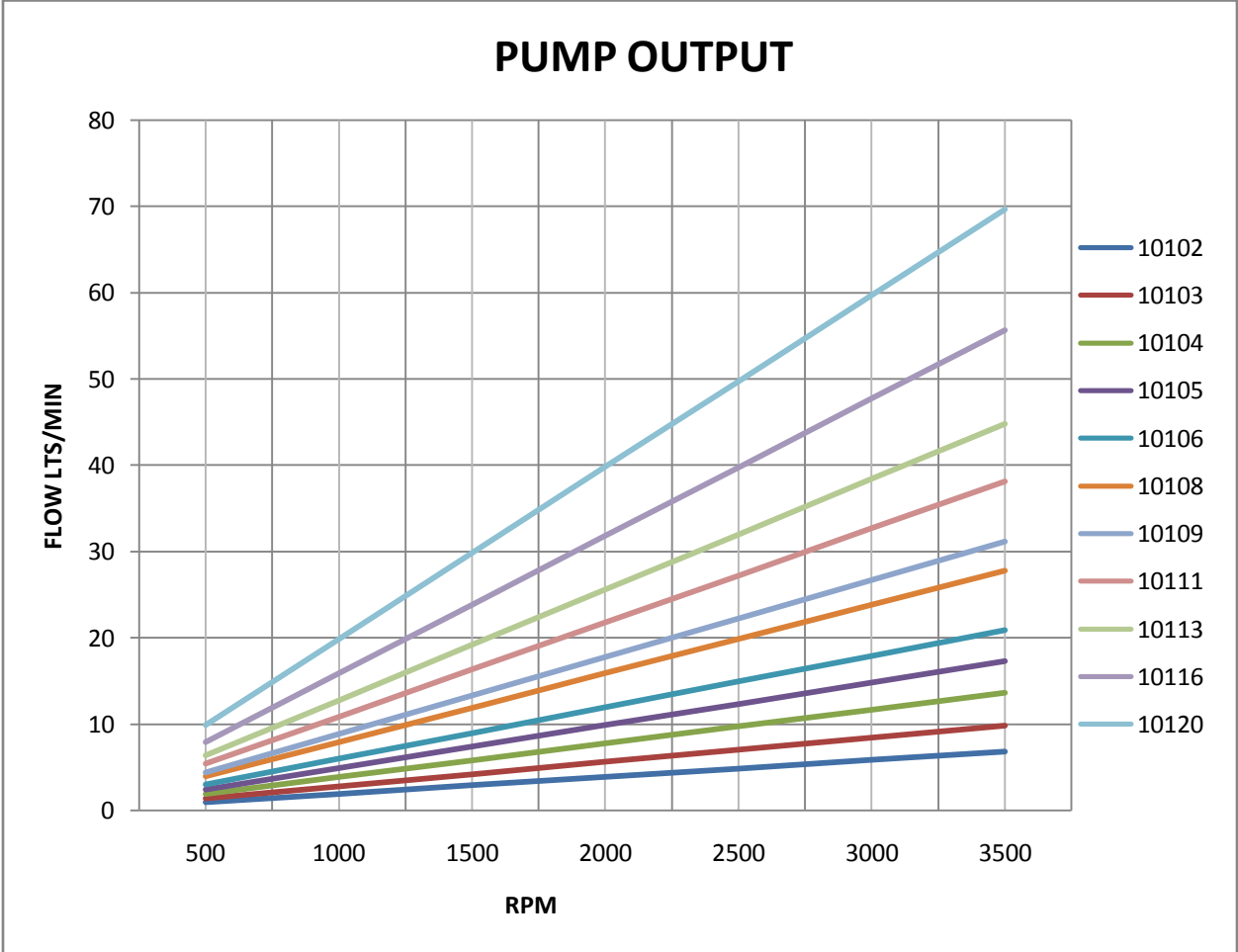
Specifications, descriptions, and dimensional or change without notice or incurring obligation.

Geared Hydropower



Sl no.	Pump code no.	Pump in CC	INLET port in mm	OUTLET port in mm	'A' in mm	'B' in mm
1	10102	2	Ø20	Ø15	130.1	43.5
2	10103	3	Ø20	Ø15	132.1	44.5
3	10104	4	Ø20	Ø15	134.1	45.5
4	10105	5	Ø20	Ø15	136.1	46.5
5	10106	6	Ø20	Ø15	138.1	47.5
6	10108	8	Ø20	Ø15	149.1	49.5
7	10109	9	Ø20	Ø15	144.1	50.5
8	10111	11	Ø20	Ø15	148.1	51.5
9	10113	13	Ø20	Ø15	154.1	53.5
10	10116	16	Ø20	Ø15	159.1	56.0
11	10118	18	Ø20	Ø15	163.1	58.0
12	10120	20	Ø20	Ø15	167.1	60.0

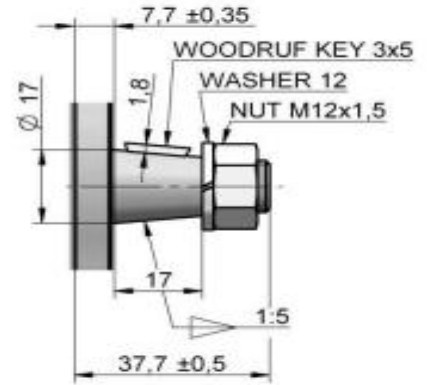
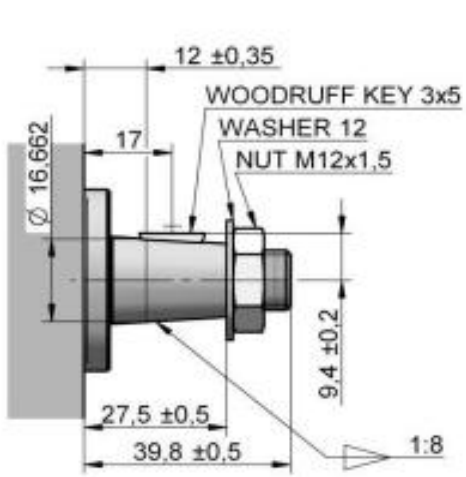
PERFORMANCE CHART



Specifications, descriptions, and dimensional or change without notice or incurring obligation.

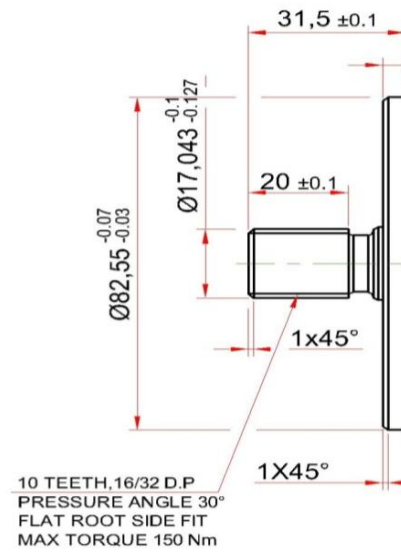
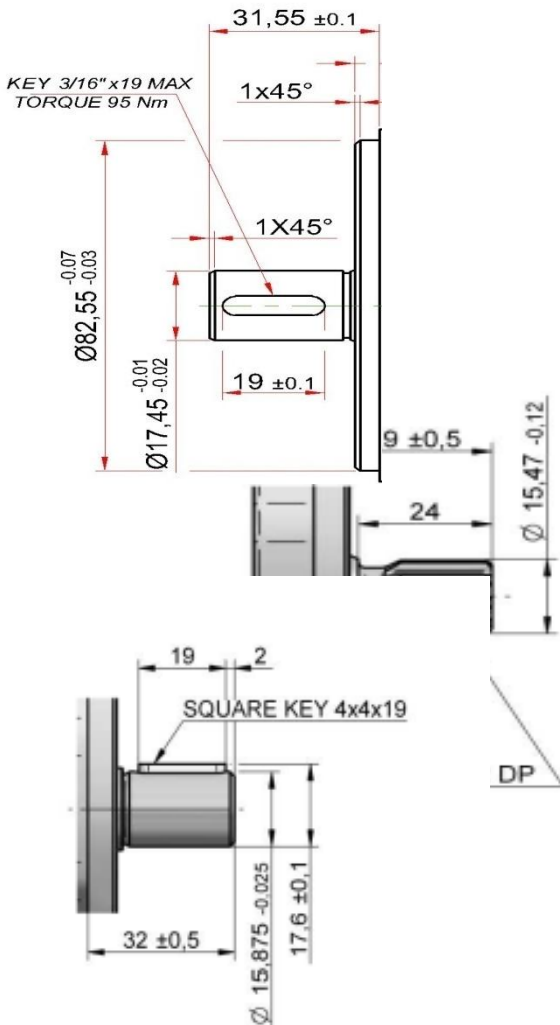
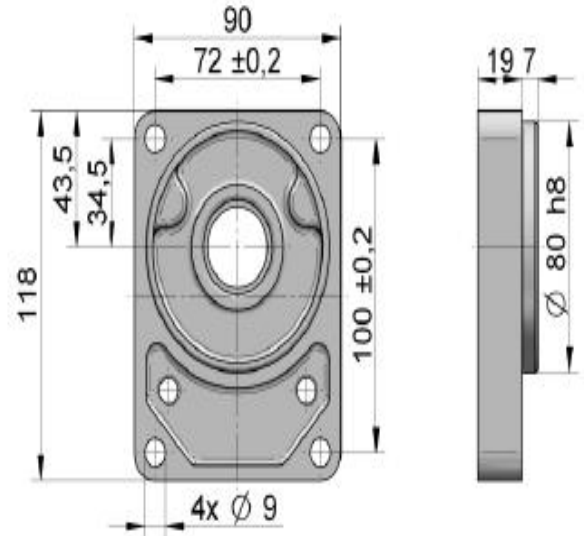
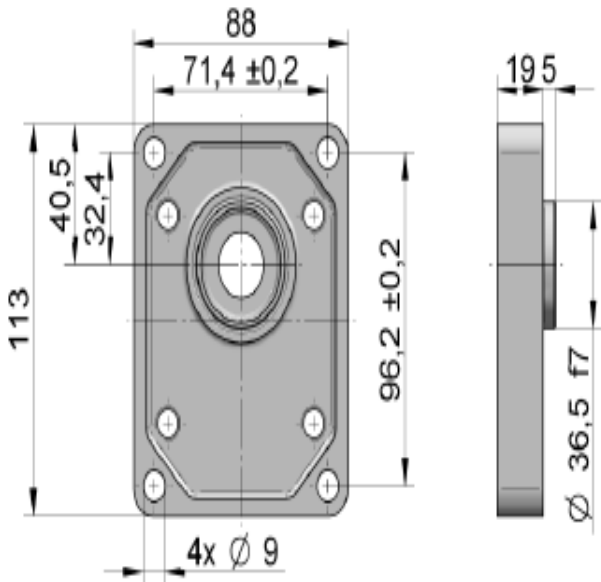
Geared Hydropower

Shafts

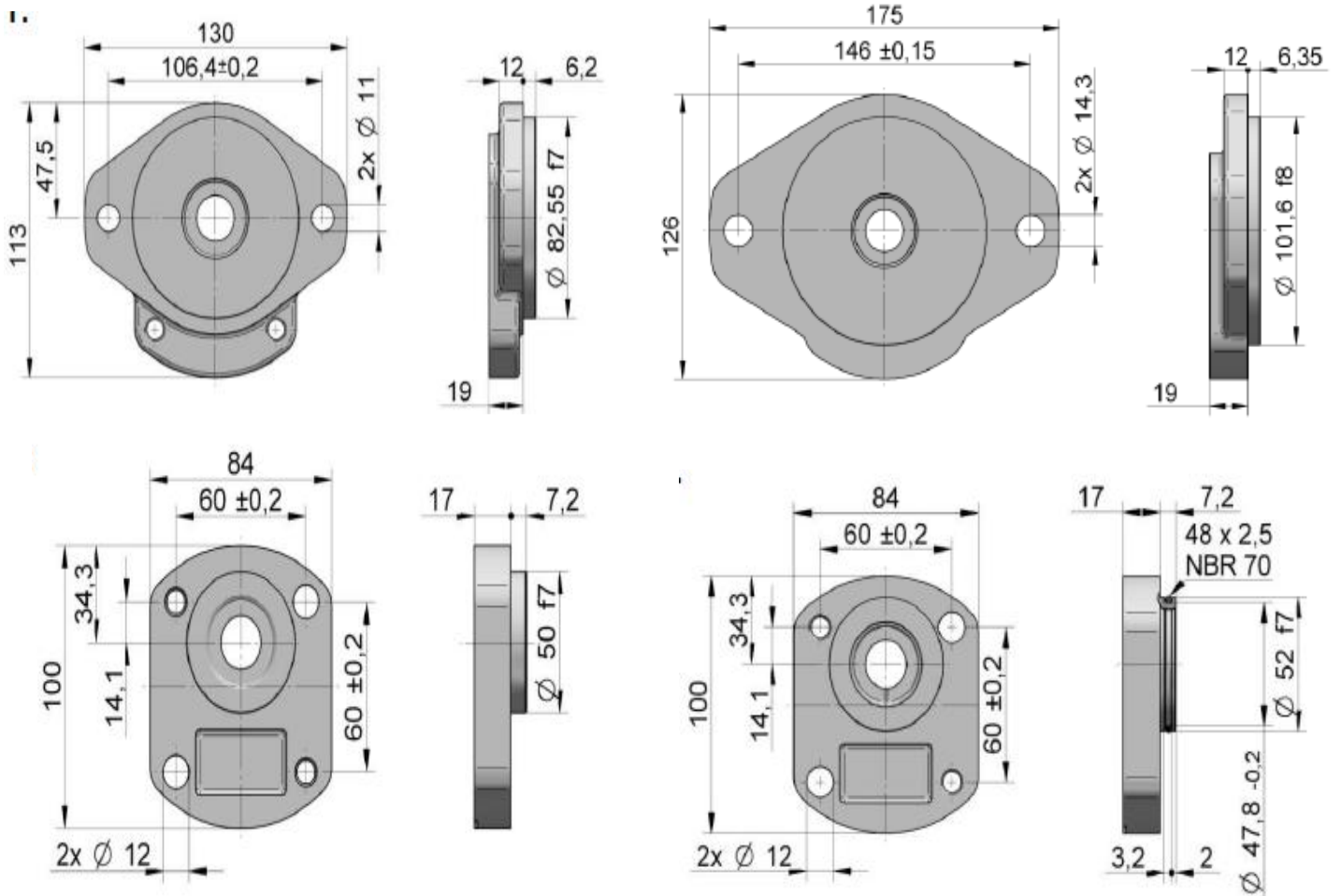


Geared Hydropower

Fr
on
t
Fla
ng
es



Geared Hydropower



Specifications, descriptions, and dimensional or change without notice or incurring obligation.