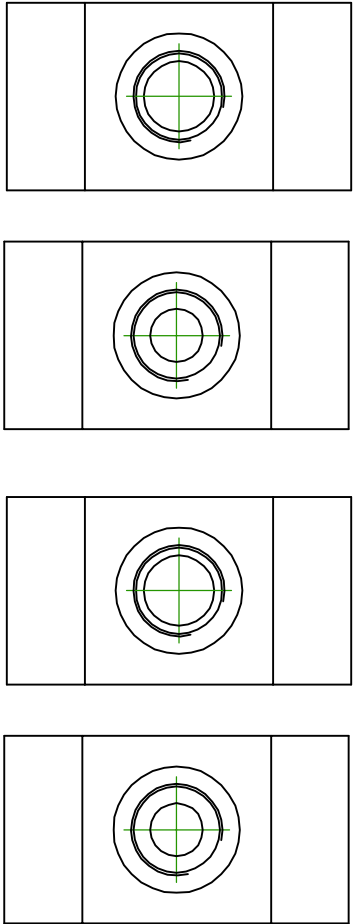
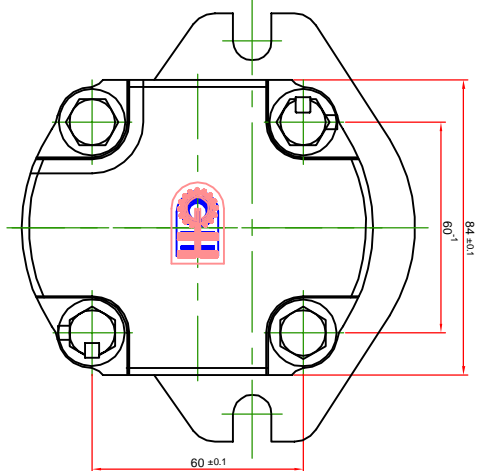
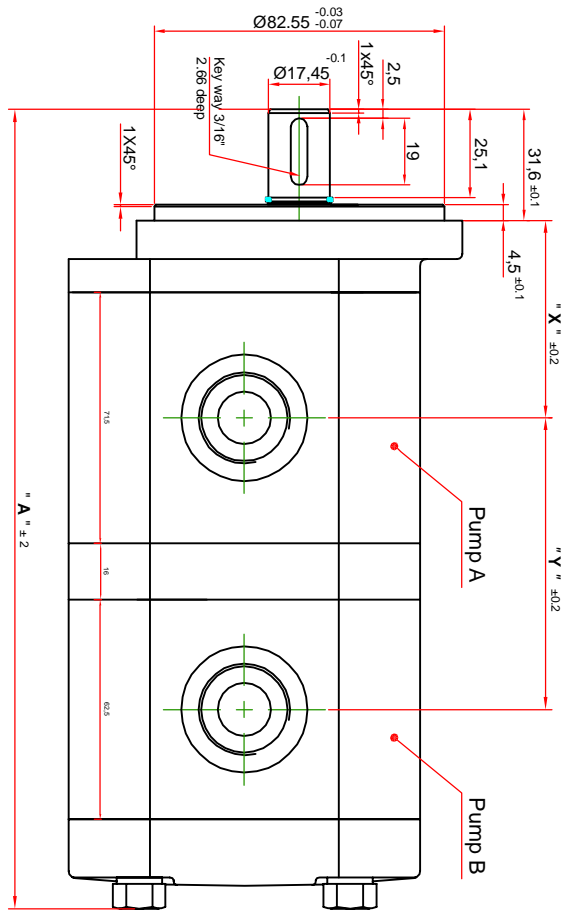
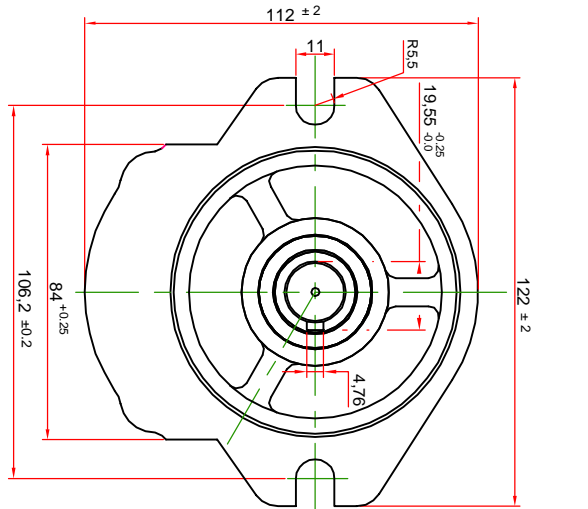


The information contained in this drawing is the sole property of Geared hydropower . Any reproduction in the part or as a whole without the written permission of geared hydropower . is prohibited



Pump specification:
 Pump direction ----- Clock-wise
 Max. output @1000 rpm of pump-I ----- 8-20 cc/rev
 Max. output @1000 rpm of pump-II ----- 3-16 cc/rev
 working pressure ----- 210 Kgs/cm²
 Testing oil temperature - 50 to 55°

S No	PUMP No		Output in cc/rev	'X' in mm	'Y' in mm	'A' in mm	PUMP A		PUMP B		Tightening Screws
	A	B					Inlet port	Outlet port	Inlet port	Outlet port	
1	19208-19203	8-3	48	65.5	186	1/2" BSP	1/2" BSP	1/2" BSP	1/2" BSP	M10 x 150 L	
2	19211-19204	11-4	51.75	70.5	196	3/4" BSP	3/4" BSP	3/4" BSP	3/4" BSP	M10 x 160 L	
3	19213-19208	13-8	54	77	209	3/4" BSP	3/4" BSP	3/4" BSP	3/4" BSP	M10 x 170 L	
4	19216-19211	16-11	56.25	83	221	3/4" BSP	3/4" BSP	3/4" BSP	3/4" BSP	M10 x 185 L	
5	19218-19213	18-13	57.75	86.75	228.5	3/4" BSP	3/4" BSP	3/4" BSP	3/4" BSP	M10 x 190 L	
6	19220-19216	20-16	59.75	91.5	237	3/4" BSP	3/4" BSP	3/4" BSP	3/4" BSP	M10 x 200 L	

192 SERIES GEAR PUMP

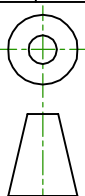


Geared Hydropower
 Belgium 590 014

TITLE: PUMP ASSY

DWG NO. 192 000 000

CUST. NAME:



REV NO	CHANGE	DATE	SIGN	CKD

FILE LOC:	DESIGN/CALL DRAW

WEIGHT:	Kg

REVISION	SHEET
	1/1

A4