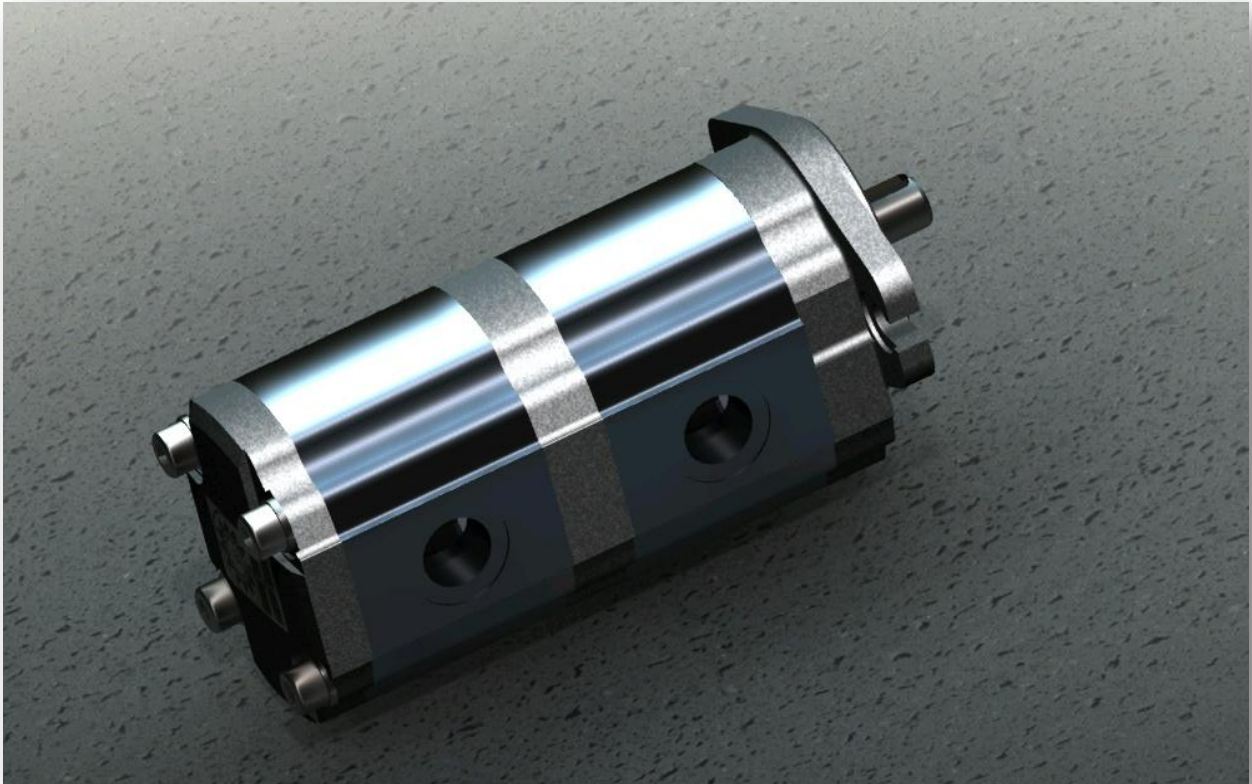
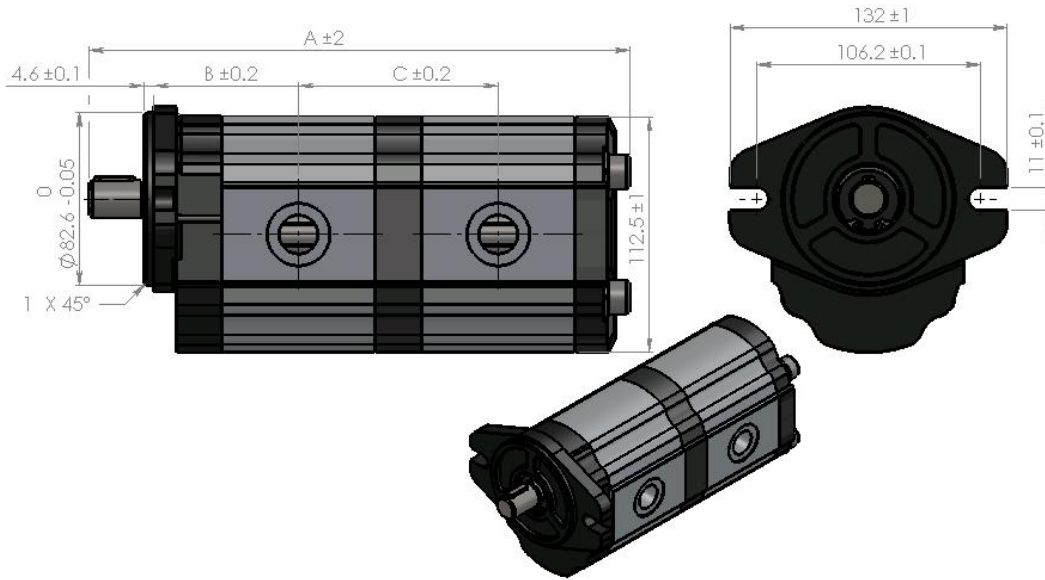


**Series 197**



SL.N O	GHPL CODE	DISPLACEMENT	MAXIMUM	MIN SPEED	MAX SPEED
		CM <sup>3</sup> /REV	PRESSURE		
1	19716/19711	16CC/11CC	210/210	800	3000
2	19720/19713	20CC/13CC	210/210	800	3000
3	19724/19716	24CC/16CC	210/210	800	3000
4	19727/19718	27CC/18CC	210/210	800	3000
5	19732/19720	32CC/20CC	170/210	800	3000

## Geared Hydropower



Sl no.	Pump code no.	Pump in CC	Pump-I		Pump-II		'A' in mm	'B' in mm	'C' in mm
			INLET port in BSP	OUTLET port in BSP	INLET port in BSP	OUTLET port in BSP			
1	19716 - 19711	16-11	Ø25	Ø17	Ø25	Ø17	253.2	69.0	91.8
2	19720 - 19713	20-13	Ø25	Ø17	Ø25	Ø17	262.2	72.0	96.5
3	19724 - 19716	24-16	Ø25	Ø17	Ø25	Ø17	271.7	75.0	101.1
4	19727 - 19718	27-18	Ø25	Ø17	Ø25	Ø17	281.7	77.0	105.3
5	19732 - 19720	32-20	Ø25	Ø17	Ø25	Ø17	291.7	81.5	111.0