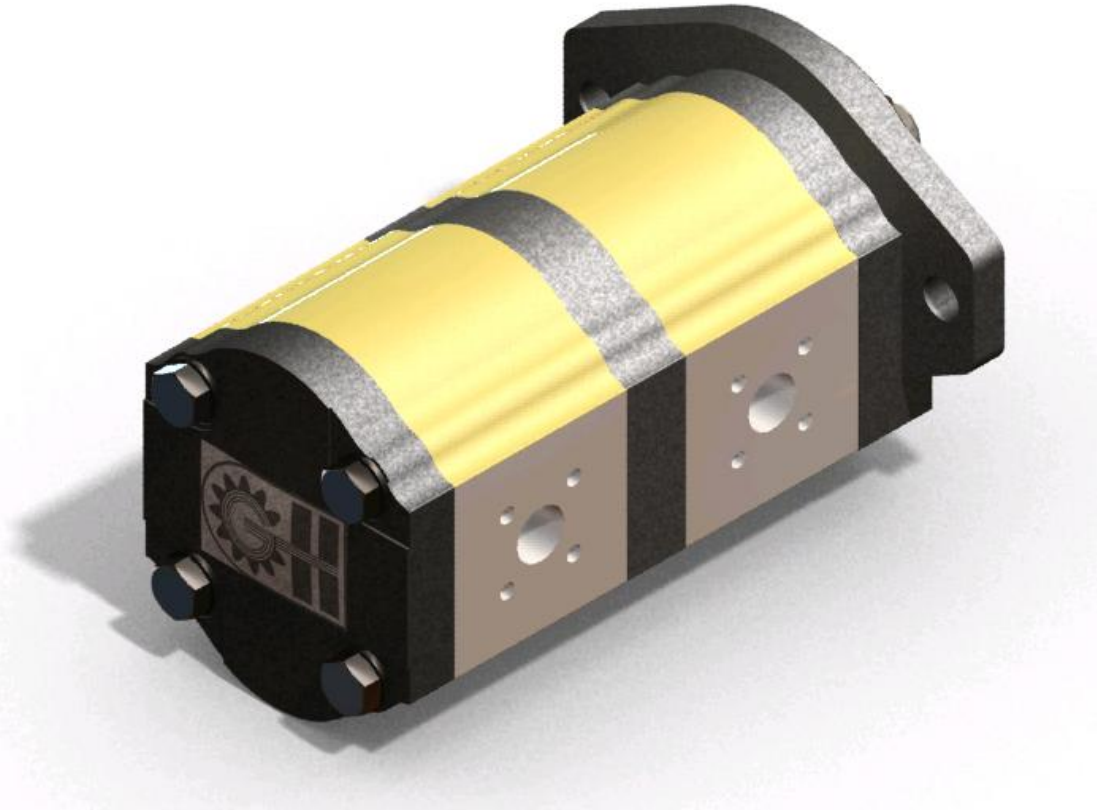
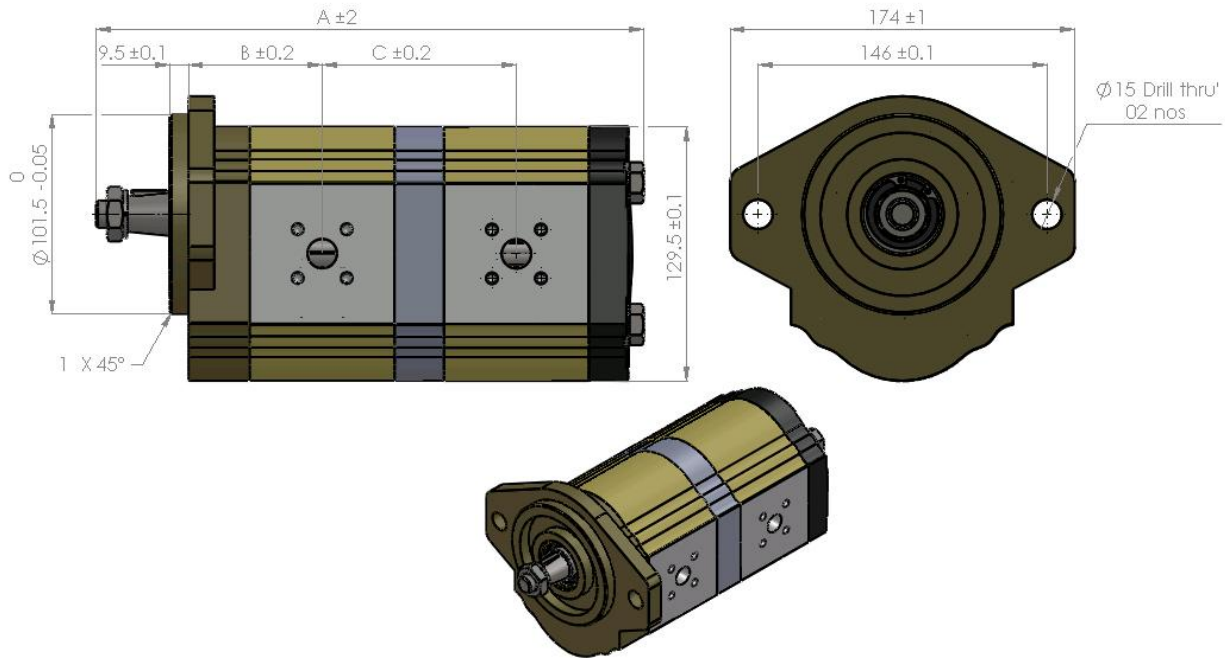


Series 193



SL.NO	GHPL CODE	DISPLACEMENT	MAXIMUM	MIN	MAX
-------	-----------	--------------	---------	-----	-----

Geared Hydropower



Sl no.	Pump code no.	Pump in CC	INLET port in mm	OUTLET port in mm	'A' in mm	'B' in mm	'C' in mm
1	19328-19320	28-20	Ø28	Ø21	299.7	77	112.1
2	19332-19324	32-24	Ø28	Ø21	307.7	79	116.1
3	19336-19328	36-28	Ø28	Ø21	315.7	81	120.1
4	19340-19330	40-30	Ø28	Ø21	321.7	83	123.1
5	19345-19332	45-32	Ø28	Ø21	328.7	85.5	126.1
6	19348 -19336	48-36	Ø28	Ø21	335.7	87	130.1
7	19355-19340	55-40	Ø28	Ø21	346.7	90	135.6
8	19360-19345	60-45	Ø28	Ø21	355.7	93	140.1
9	19366-19348	66-45	Ø28	Ø21	366.7	96	145.3