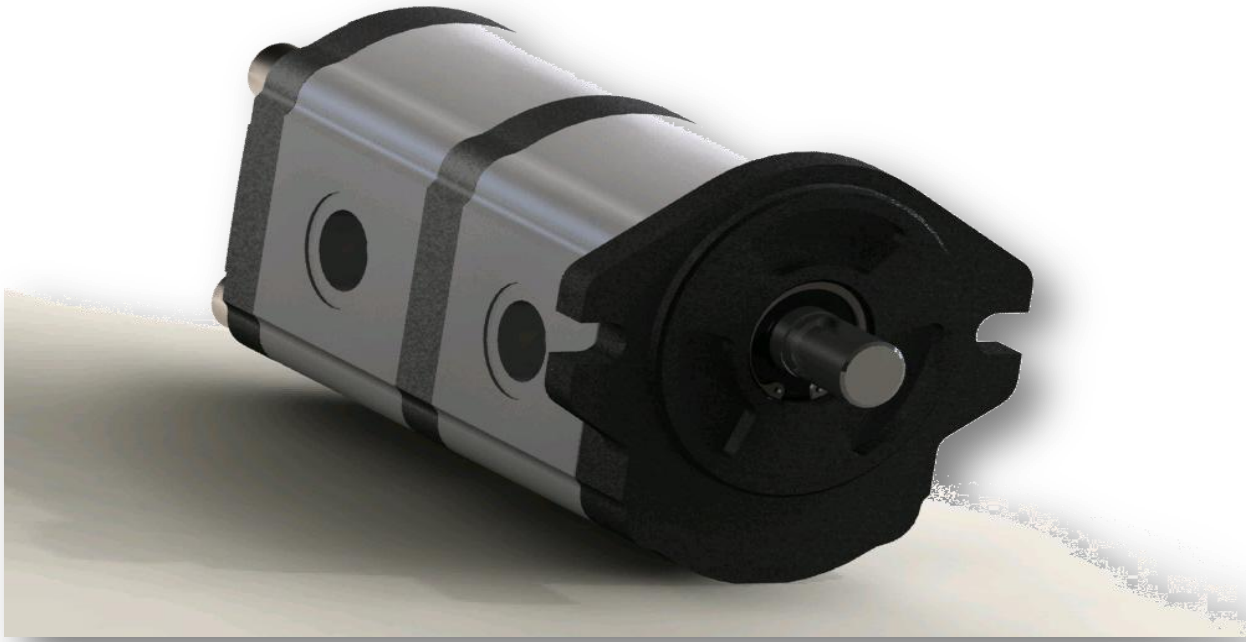
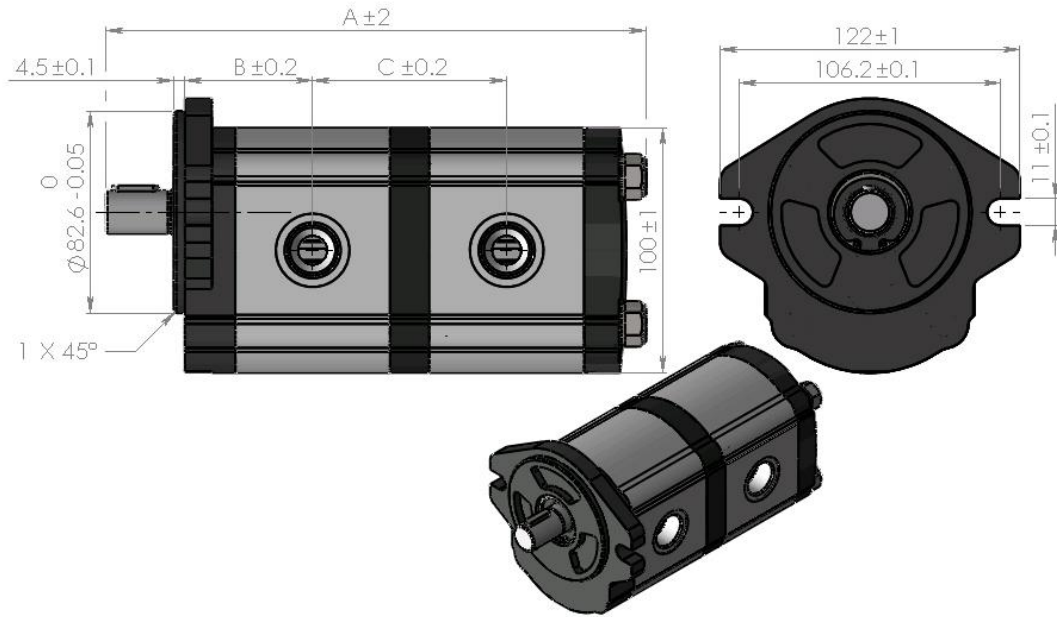


## Series 192



SL.NO	GHPL CODE	DISPLACEMENT	MAXIMUM	MIN SPEED	MAX SPEED
		CM <sup>3</sup> /REV	PRESSURE		
1	19208/19203	8CC/3CC	210/210	500	3500
2	19211/19204	11CC/4CC	210/210	500	3500
3	19213/19208	13CC/8CC	210/210	500	3500
4	19216/19211	16CC/11CC	210/210	500	3500
5	19218/19213	18CC/13CC	170/210	500	3500
6	19220/19216	20CC/16CC	170/210	500	3500

## Geared Hydropower



Sl no.	Pump code no.	Pump in CC	Pump-I		Pump-II		'A' in mm	'B' in mm	'C' in mm
			INLET port in BSP	OUTLET port in BSP	INLET port in BSP	OUTLET port in BSP			
1	19208 - 19203	8-3	1/2 "	1/2 "	1/2 "	1/2 "	186	48	65.5
2	19211 - 19204	11-4	3/4 "	3/4 "	1/2 "	1/2 "	196	51.7	70.5
3	19213 - 19208	13-8	3/4 "	3/4 "	1/2 "	1/2 "	209	54	77
4	19216 - 19211	16-11	3/4 "	3/4 "	3/4 "	3/4 "	221	56.2	83
5	19218 - 19213	18-13	3/4 "	3/4 "	3/4 "	3/4 "	228.5	57.8	86.8
6	19220 - 19216	20-16	3/4 "	3/4 "	3/4 "	3/4 "	237	59.8	91.5