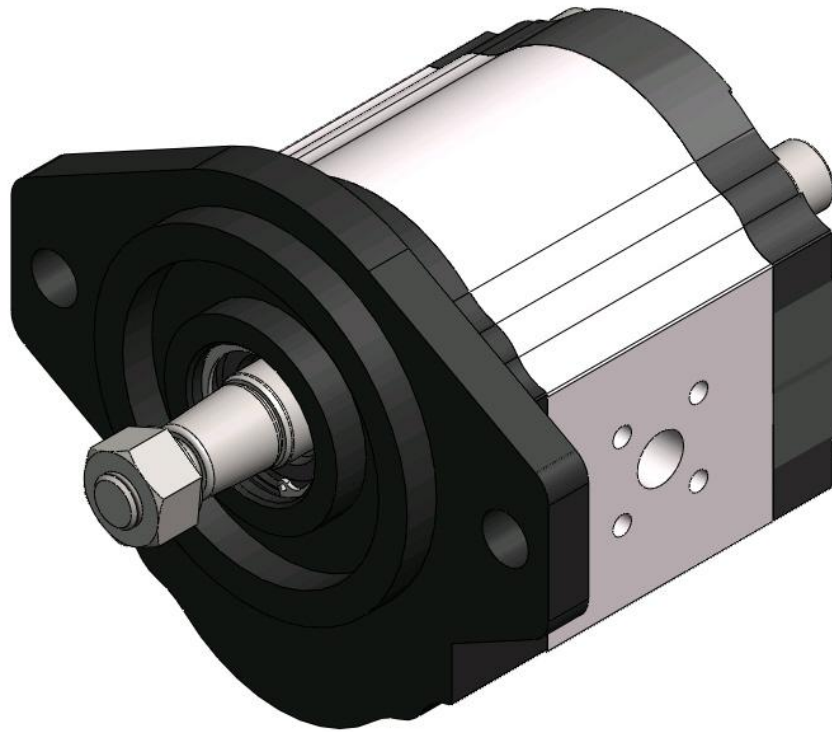


SERIES 103

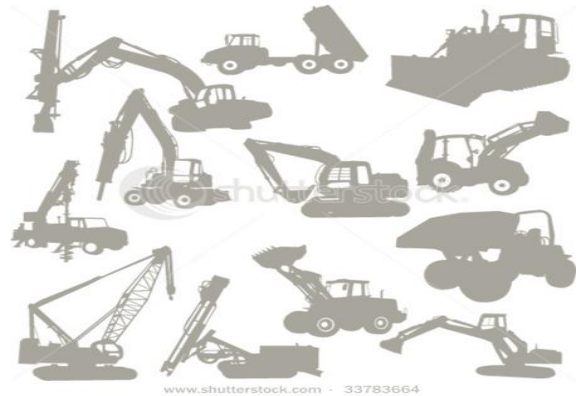
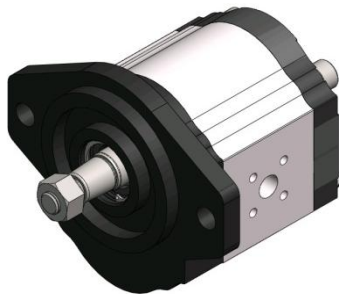


Geared Hydropower

SERIES 103

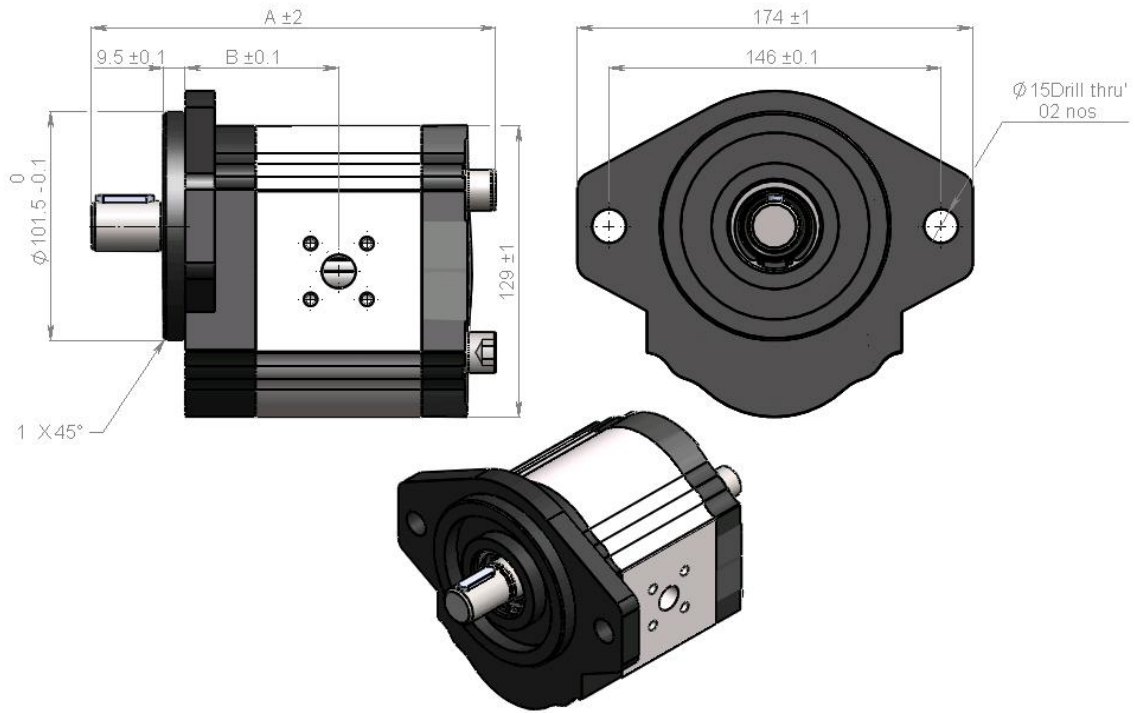
Specification

- 1) displacement from 28CC to 66cc.
- 2) optional direction (clock or counter clock).
- 3) mounted external relief valve in option.
- 5) rated for a continuous pressure.
- 6) recommended for construction equipments,
earth moving equipments



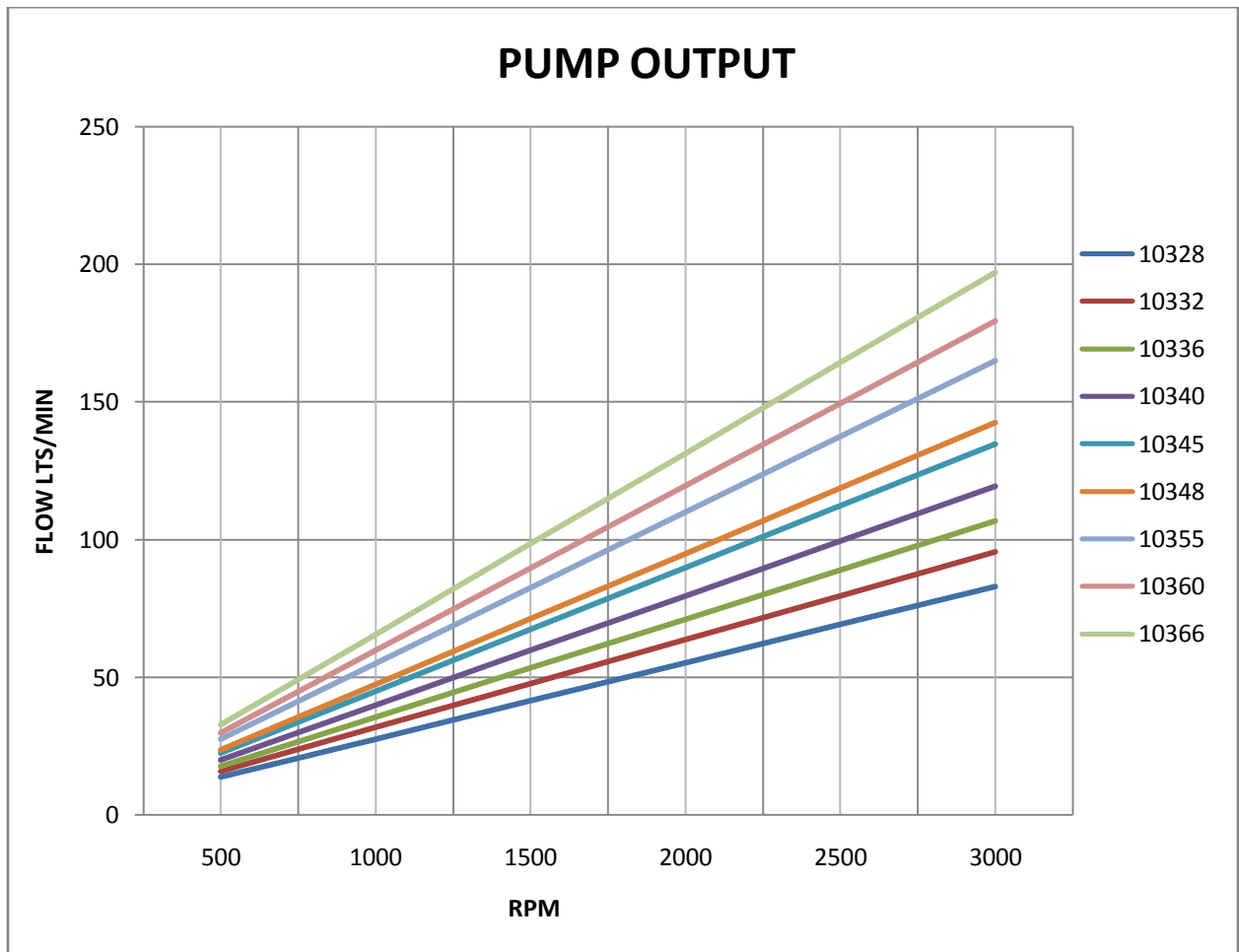
Product code	CC/rev	LPM at 1500 RPM	Continuous pressure (P1)	Intermittent pressure (P2)	Max shaft speed	Min shaft speed
10328	28	38.6	210	220	2800	800
10332	32	44.5	210	230	2800	800
10336	36	49.6	210	230	2800	800
10340	40	55.5	210	230	2800	800
10345	45	62.6	170	230	2800	800
10348	48	66.2	170	230	2400	800
10355	55	76.7	170	230	2400	800
10360	60	83.4	140	200	2400	800
10366	66	91.6	140	200	2400	800

Geared Hydropower

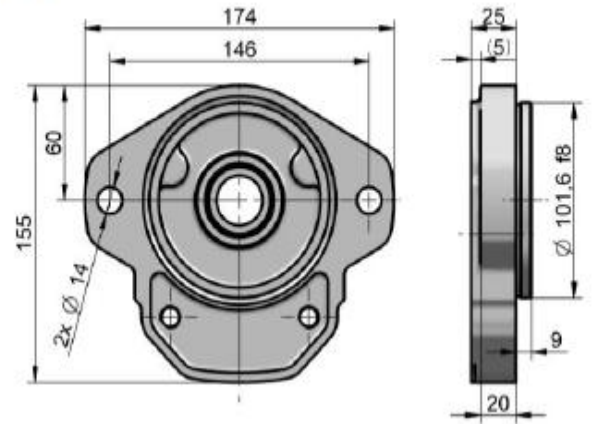
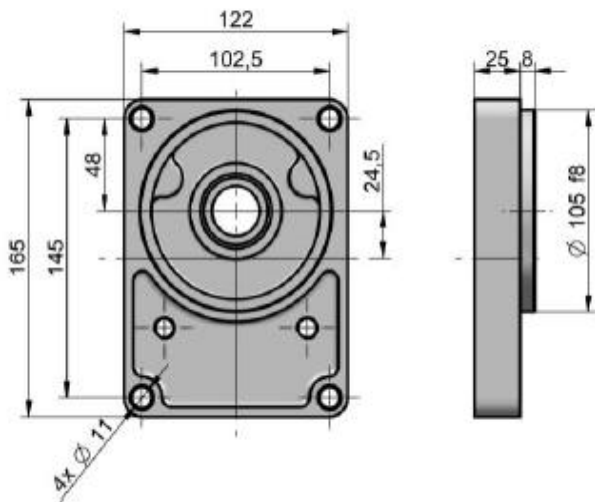
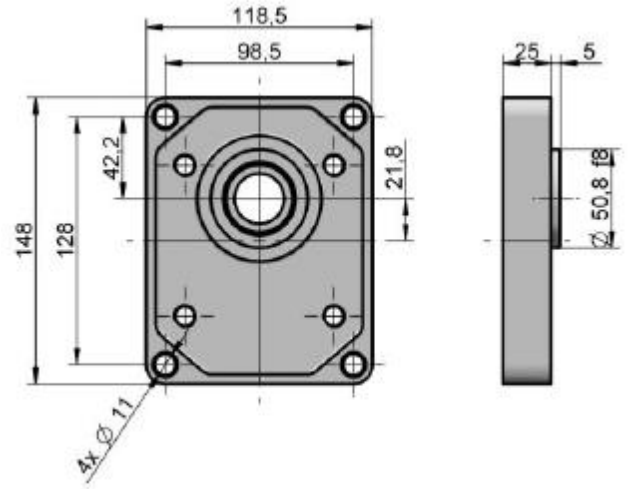
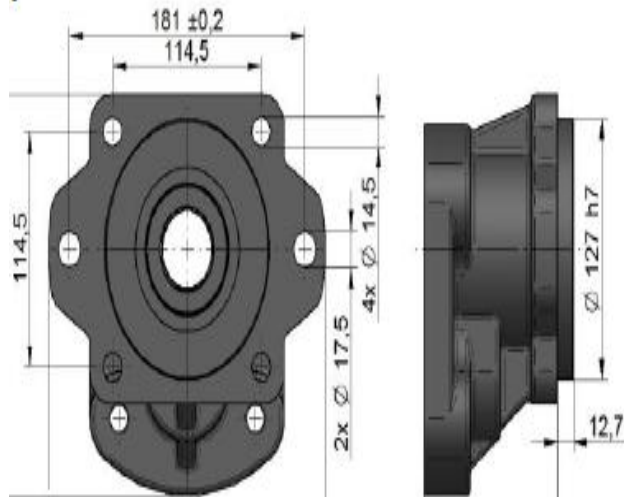


Sl no.	Pump code no.	Pump in CC	INLET port in mm	OUTLET port in mm	'A' in mm	'B' in mm
1	10328	28	Ø28	Ø21	196.1	77
2	10332	32	Ø28	Ø21	200.1	79
3	10336	36	Ø28	Ø21	204.1	81
4	10340	40	Ø28	Ø21	208.1	83
5	10345	45	Ø28	Ø21	213.1	85.5
6	10348	48	Ø28	Ø21	217.1	87
7	10355	55	Ø28	Ø21	221.1	90
8	10360	60	Ø28	Ø21	225.1	93
9	10366	66	Ø28	Ø21	234.6	96

PERFORMANCE CHART



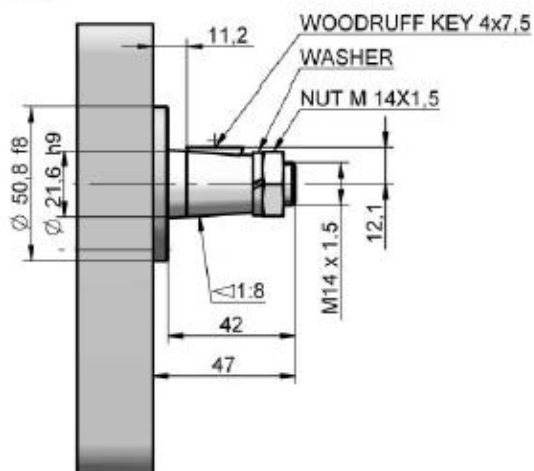
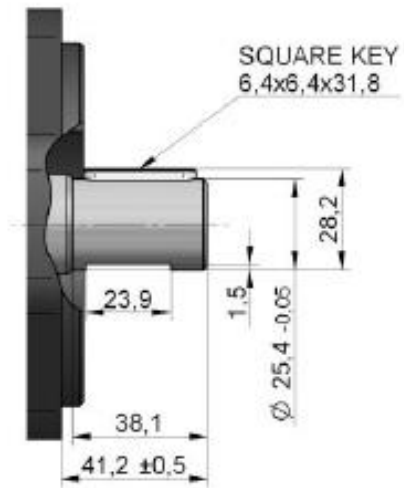
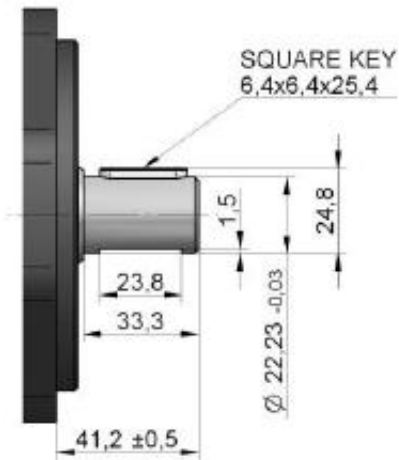
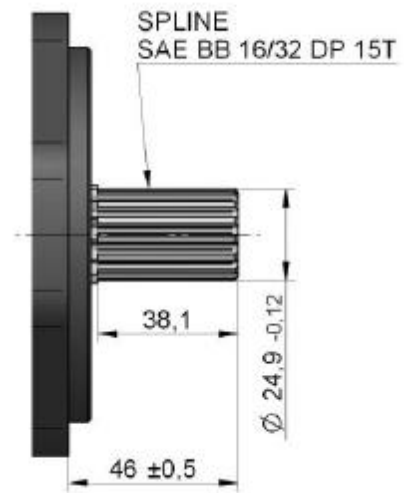
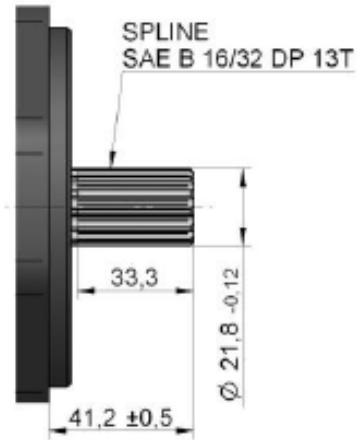
Geared Hydropower



Front Flanges

Geared Hydropower

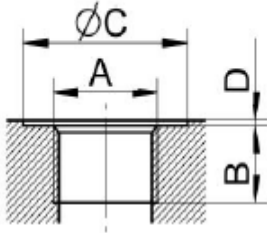
Shafts



Geared Hydropower

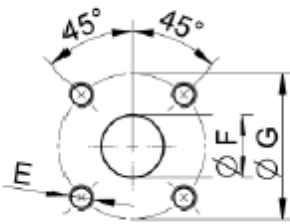
Inlet & outlet Ports

BSP pipe thread ISO 228 - 1



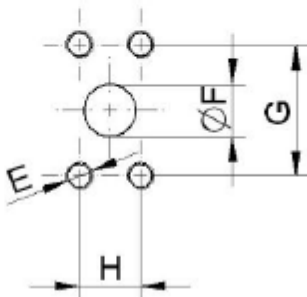
A	B	C	D
G1/2	18	33	1
G3/4	16	39	1
G1	18	45	1
G1 1/4	18	57	1
G1 1/2	18	63	1

Flanged fittings DIN 8901/8902



E	F	G
M8	20	40
M8	18	55
M8	25	55
M10	26	51

Flanged fittings SAE „rectsngle“



E	F	G	H
3/8-16UNC-2B	19	47,6	22,2
3/8-16UNC-2B	25,4	52,4	26,2
7/16-14UNC-2B	30,5	58,7	30,2
1/2-13UNC-2B	39,3	69,8	35,7
1/2-13UNC-2B	51	77,8	42,9
M10	19	47,6	22,2
M10	25,4	52,4	26,2
M10	30,5	58,7	30,2
M12	39,3	69,8	35,7
M12	51	77,8	42,9