

Geared Hydropower

SERIES 102



SERIES 102

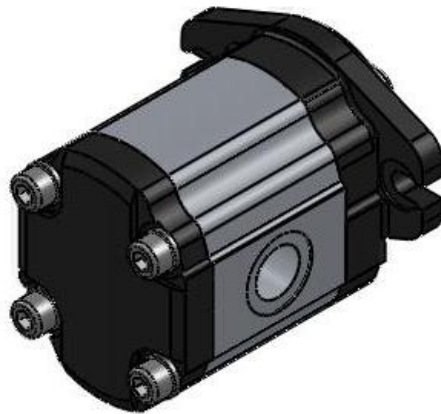
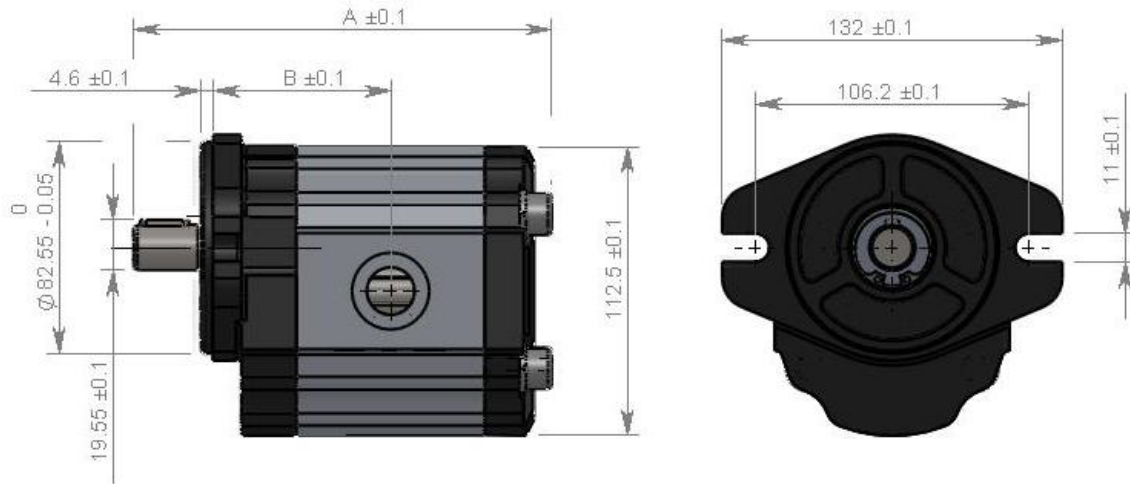
Specification

- 1) displacement from 16CC to 32cc
- 2) optional direction (clock or counter clock)
- 3) low noise level at various speeds and pressure
- 5) rated for a continuous pressure
- 6) recommended for construction equipments, power PRESSES



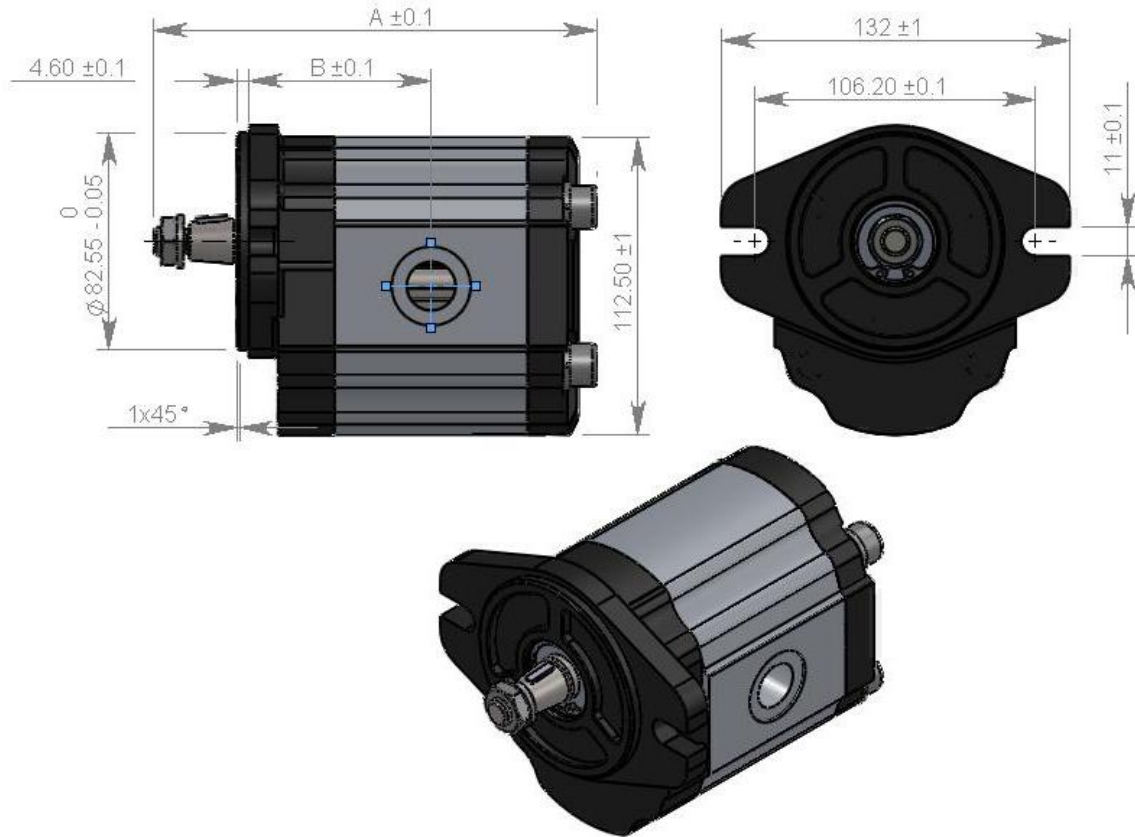
| Product code | CC/rev | LPM at 1500 RPM | Continuous pressure (P1) | Intermittent pressure (P2) | Max shaft speed | Min shaft speed |
|--------------|--------|-----------------|--------------------------|----------------------------|-----------------|-----------------|
| 10216 | 16 | 21.9 | 210 | 230 | 3000 | 700 |
| 10220 | 20 | 27.6 | 210 | 220 | 3000 | 700 |
| 10224 | 24 | 33.5 | 210 | 230 | 3000 | 500 |
| 10227 | 27 | 37.2 | 210 | 230 | 3000 | 500 |
| 10232 | 32 | 44.5 | 170 | 200 | 3000 | 500 |

Geared Hydropower



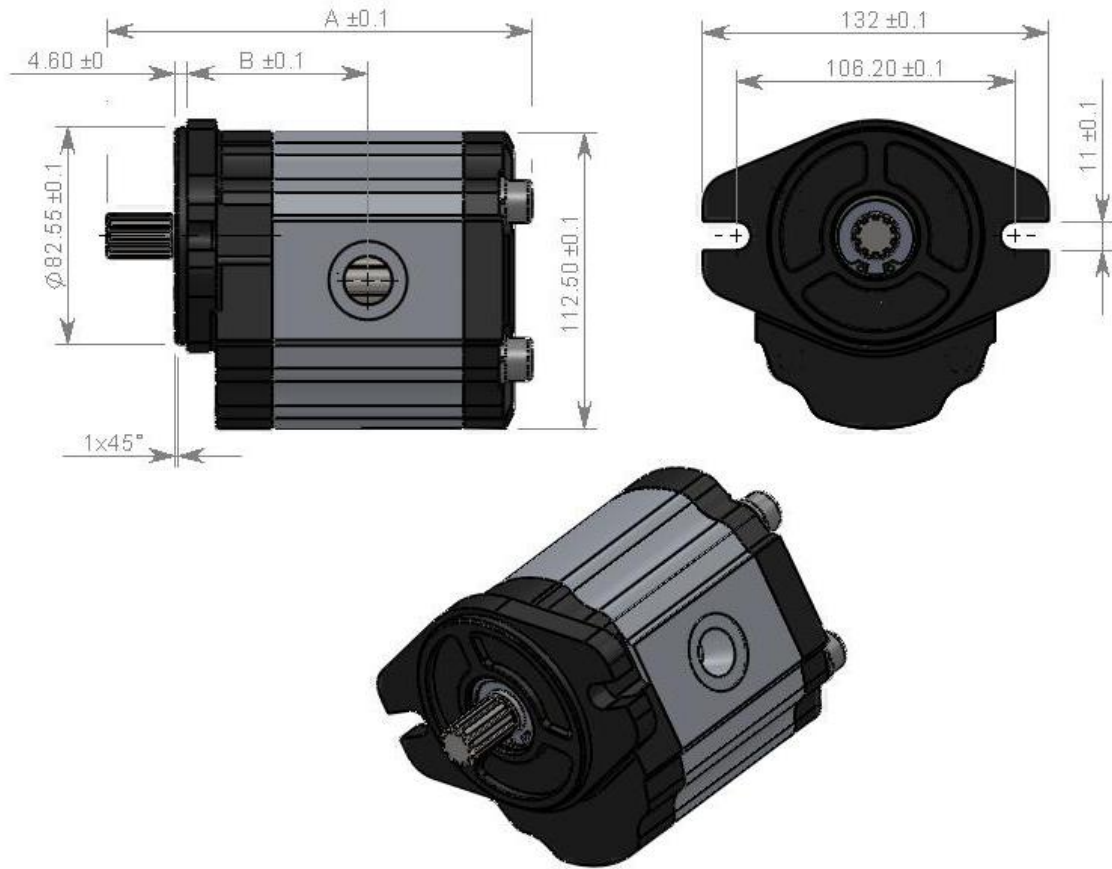
| Sl no. | Pump code no. | Pump in CC | INLET port in BSP | OUTLET port in BSP | 'A' in mm | 'B' in mm |
|--------|---------------|------------|-------------------|--------------------|-----------|-----------|
| 1 | 10216 | 16 | 3/4 " | 1/2 " | 164.6 | 69.0 |
| 2 | 10220 | 20 | 3/4 " | 1/2 " | 170.6 | 72.0 |
| 3 | 10224 | 24 | 1 " | 3/4 " | 176.6 | 75.0 |
| 4 | 10227 | 27 | 1 " | 3/4 " | 180.6 | 77.0 |
| 5 | 10232 | 32 | 1 " | 3/4 " | 190.6 | 81.5 |

Geared Hydropower



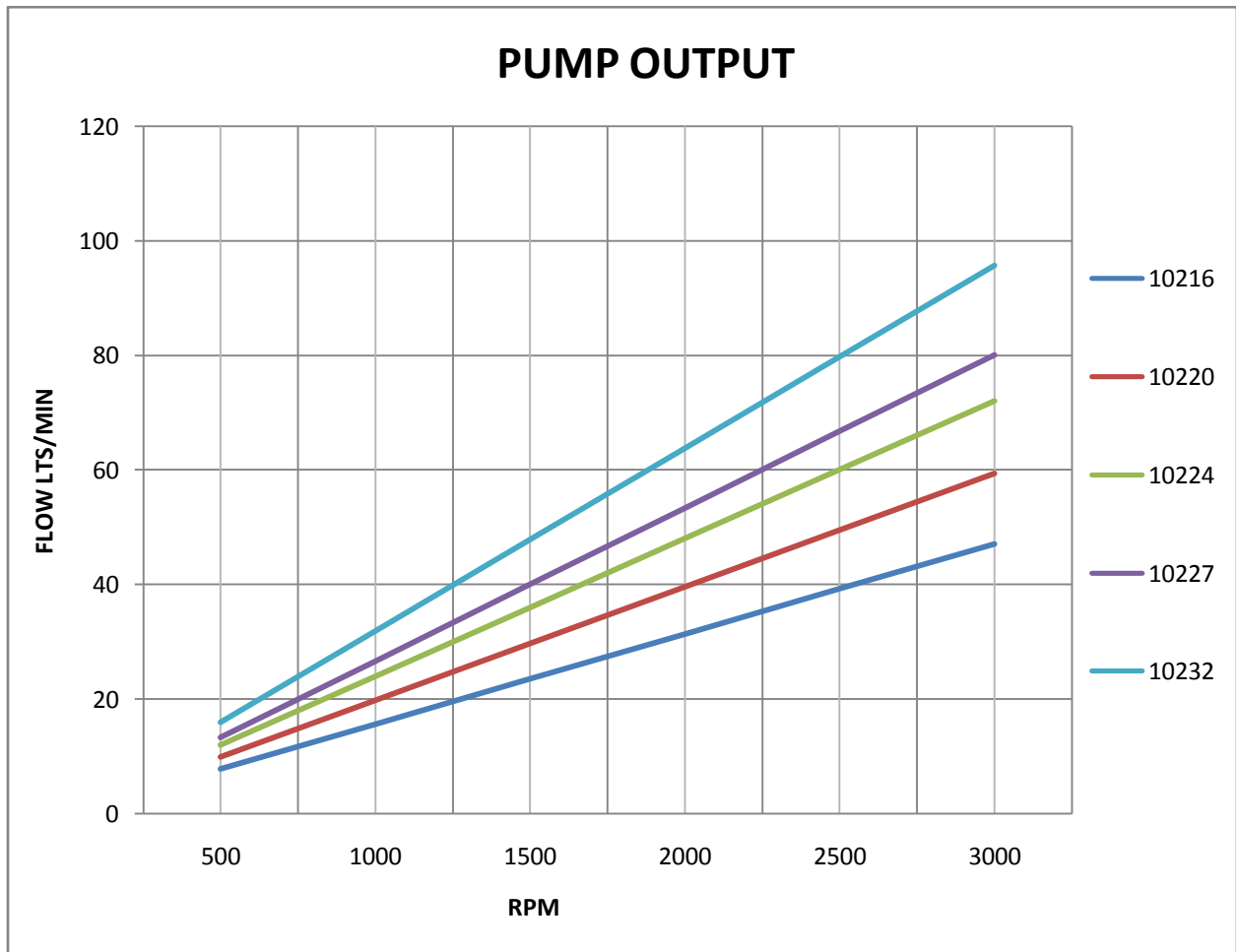
| SI no. | Pump code no. | Pump in CC | INLET port in BSP | OUTLET port in BSP | 'A' in mm | 'B' in mm |
|--------|---------------|------------|-------------------|--------------------|-----------|-----------|
| 1 | 10216 | 16 | 3/4 " | 1/2 " | 171.1 | 69.0 |
| 2 | 10220 | 20 | 3/4 " | 1/2 " | 177.1 | 72.0 |
| 3 | 10224 | 24 | 1 " | 3/4 " | 183.1 | 75.0 |
| 4 | 10227 | 27 | 1 " | 3/4 " | 187.1 | 77.0 |
| 5 | 10232 | 32 | 1 " | 3/4 " | 197.1 | 81.5 |

Geared Hydropower

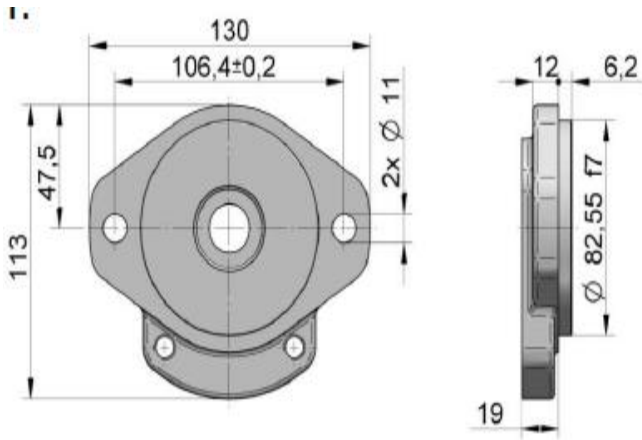


| Sl no. | Pump code no. | Pump in CC | INLET port in BSP | OUTLET port in BSP | 'A' in mm | 'B' in mm |
|--------|---------------|------------|-------------------|--------------------|-----------|-----------|
| 1 | 10216 | 16 | 3/4 " | 1/2 " | 164.6 | 69.0 |
| 2 | 10220 | 20 | 3/4 " | 1/2 " | 170.6 | 72.0 |
| 3 | 10224 | 24 | 1 " | 3/4 " | 176.6 | 75.0 |
| 4 | 10227 | 27 | 1 " | 3/4 " | 180.6 | 77.0 |
| 5 | 10232 | 32 | 1 " | 3/4 " | 190.6 | 81.5 |

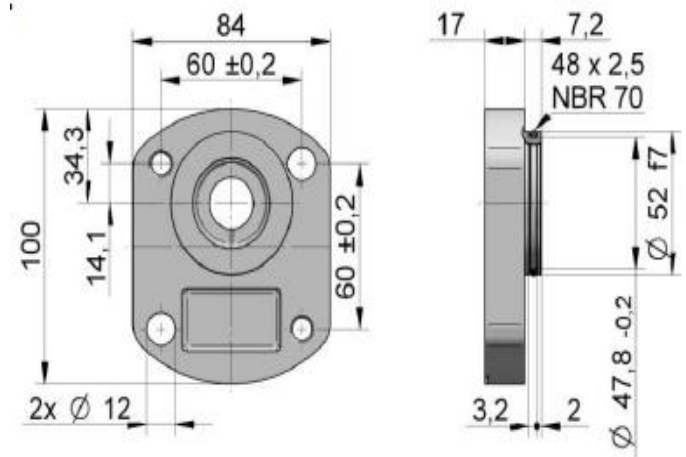
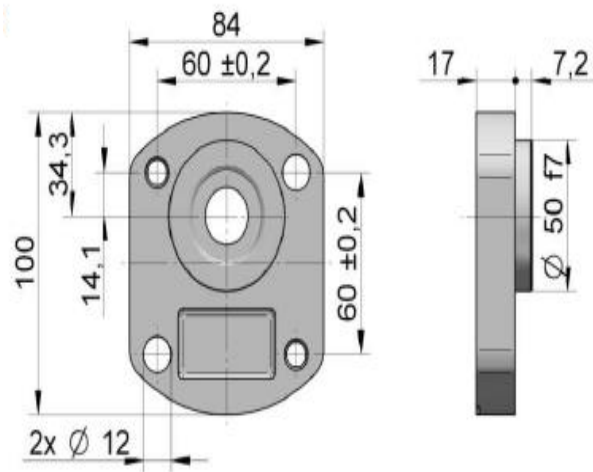
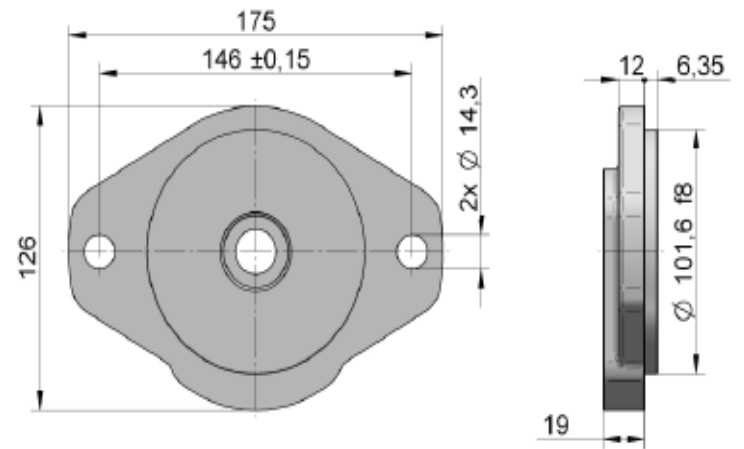
PERFORMANCE CHART



Geared Hydropower



Front Flanges



Geared Hydropower

Shafts

