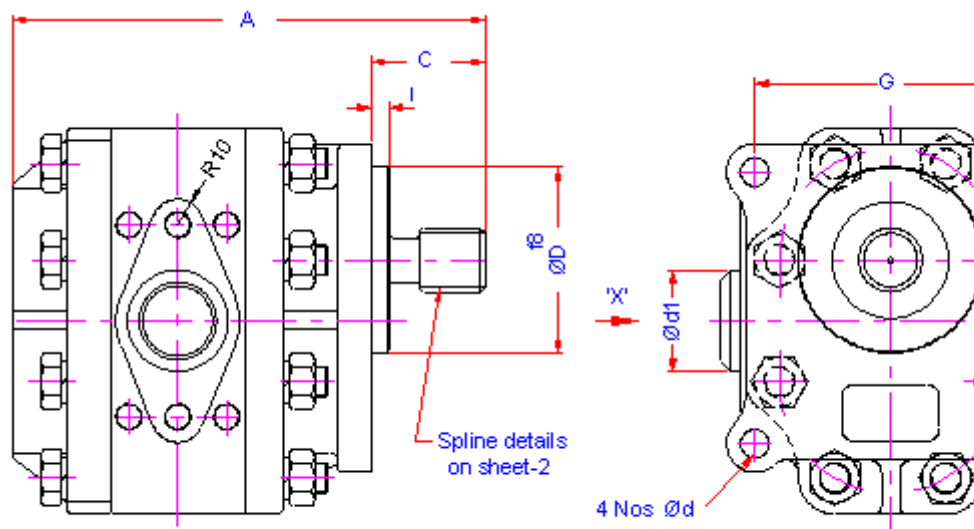


# Earth Moving Equipments - Low Pressure Pumps

Indigenously developed **Pressure Balanced Gear Pumps**.

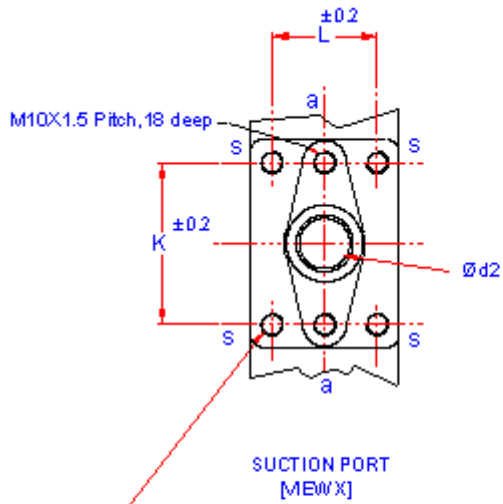
- ☛ All the Pumps enlisted below are for Earthmoving Machines.
- ☛ For more details kindly write to us separately by completing the request form.



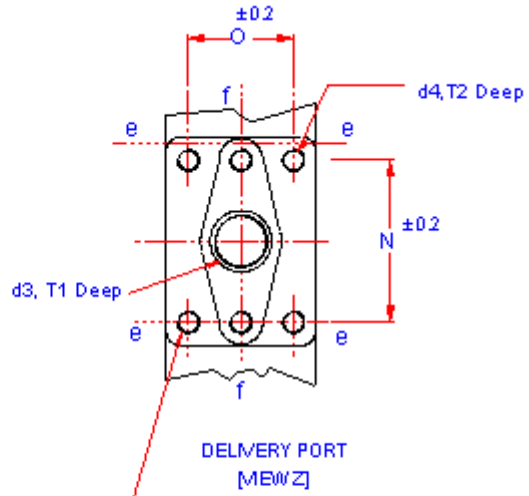
View -X'

Note : All dimensions are in metric system except wherever indicated otherwise.

PUMP CODE NO.	PUMP PRODUCT	PUMP MODEL NO.	DISCHARGE IN ltrs. / min. @ 1000 rpm	MAX. rpm	DIMENSIONS							
					A	C	D	F	G	H	I	J
103	D80 MCP	LFA 036	35	2000	218	56	72	105	105	5	34	11
104	D50 MCP	LFA 070	70	2000	188	40	79	116	116	7	36	13
109	D155 TRANSMISSION	LFA 045	45	2300	179	44	72	105	105	7	34	11
111	D155 STEERING	LFC 100	100	2000	232	54	92	135	135	7	44	13
114	D355 TRANSMISSION	LFC 080	80	2000	212	54	92	135	135	7	44	13
116	D355 STEERING	LFA 126	126	2000	239	54	92	135	135	7	44	13
117	D80 STEERING	LFC 040	40	2300	173	44	72	105	105	7	34	11
118	D120 MCP	LFA 036	36	2300	169	44	72	105	105	7	34	11
119	D120 STEERING	LFA 080	80	2000	212	54	92	135	135	7	44	13
121	D80 A/8 MCP	LFC 045	45	2300	202	56	72	105	105	7	34	11
122	D80 A/8 STEERING	LFA 020	20	2300	155	46.5	65	95	95	5	30	11
123	D80 A/8 STEERING	LFA 020	20	2300	166	46.5	65	95	95	5	30	11
124	D80 A/8 MCP	LFA 040	40	2300	173	44	72	105	105	7	34	11
126	D60 MCP [ASP6]	LFC 032	32	2300	164	44	72	105	105	7	34	11
127	D65 TRANSMISSION	LFA 040	40	2300	173	44	72	105	105	7	34	11
129	D65 MCP	LFA 032	32	2300	173	44	72	105	105	7	34	11
130	D65 STEERING	LFC 032	32	2300	164	44	72	105	105	7	34	11
131	D65 TORQUE FLOW	LFA 040	40	2300	173	44	72	105	105	7	34	11



M - 's' marked option of 4 bolt hole flange mounted is provided as per specific request by the customer.  
 'a' marked is a standard 2 bolt hole flange mounting provided by GHPL.



M1 - 'e' marked option of 4 bolt hole flange mc provided as per specific request by the c  
 'f' marked is a standard 2 bolt hole flang provided by GHPL.

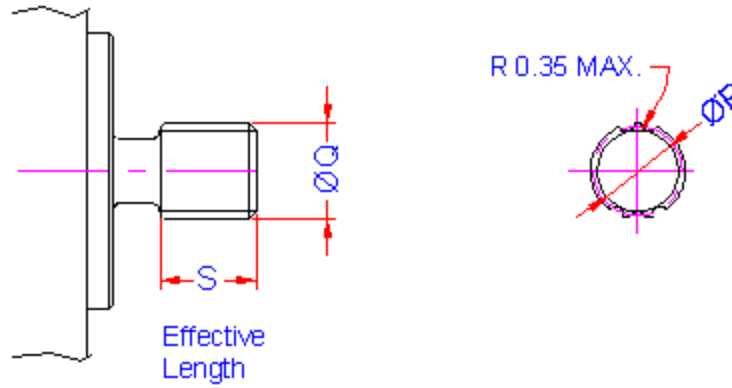
### Pump Port Dimensions

PUMP CODE NO.	PUMP MODEL I	SUCTION 'X'					DELIVERY 'Y'						
		d1 h9	d2	K	L	M	d3	T1	d4	T2	M1	N	O
103	LFA 036	35	23	74	-	2a	M24	22	-	-	-	-	-
104	LFA 070	45	33	82	-	2a	M24	22	-	-	-	-	-
109	LFA 045	39	27	74	-	2a	M24	22	-	-	-	-	-
111	LFC 100	57	45	95	32	4s	18	-	M12	21	4e	100	28
114	LFC 080	45	33	95	32	4s	18	-	M10	18	4e	95	25
116	LFA 126	57	45	95	32	4s	18 *	-	M12	21	4e	100	28
117	LFC 040	39	27	74	-	2a	M24	22	-	-	-	-	-
118	LFA 036	35	23	74	-	2a	M24	22	-	-	-	-	-
119	LFA 080	45	33	95	32	4s	18	-	M10	18	4e	95	25
121	LFC 045	39	27	74	--	2a	M24	22	--	--	--	--	--
122	LFA 020	35	23	68	--	2a	M20	22	--	--	--	--	--
123	LFA 020	35	23	68	--	2a	M20	22	--	--	--	--	--
124	LFA 040	39	27	74	--	2a	13	--	M10	18	2f	74	--
126	LFC 031	32	20	74	-	2a	13	-	M10	18	2f	74	-
127	LFA 040	39	27	74	-	2a	M24	22	-	-	-	-	-
129	LFC 032	39	27	74	-	2a	13	-	M10	18	2f	74	-
130	LFC 032	32	20	74	-	2a	M20	22	-	-	-	-	-
131	LFA 040	39	27	74	-	2a	13	-	M10	18	2f	74	-

Note :

- All dimensions are in metric system except wherever indicated otherwise.
- Dimensions d3 for pump code 116 can be provided with M33 X 1.5 Pitch on demand

### Spline Detail



PUMP CODE	PUMP MODEL	MODULE	NO. OF TEETH	PR. ANGLE	ROOT DIA. P	P.C.D.	Q	S
103	LFA 036	1.667	13	20°	21	21.667	24.667	37
104	LFA 070	1.667	16	20°	26	26.667	29.667	26
109	LFA 045	1.667	13	20°	21	21.667	24.667	25
111	LFC 100	1.667	19	20°	31	31.667	34.667	35
114	LFC 080	1.667	19	20°	31	31.667	34.667	35
116	LFA 126	1.667	19	20°	31	31.667	34.667	35
117	LFC 040	1.667	13	20°	21	21.667	24.667	25
118	LFA 036	1.667	13	20°	21	21.667	24.667	25
119	LFA 080	1.667	19	20°	31	31.667	34.667	35
121	LFC 045	1.667	13	20°	21	21.667	24.667	25
122	LFA 020	1.25	16	20°	18	20	22.105	44
123	LFA 020	1.25	16	20°	18	20	22.105	44
124	LFA 040	1.667	13	20°	21	21.667	24.667	25
126	LFC 031	1.667	13	20°	21	21.667	24.667	26
127	LFA 040	1.667	13	20°	21	21.667	24.667	25
129	LFC 032	1.667	13	20°	21	21.667	24.667	25
130	LFC 032	1.667	13	20°	21	21.667	24.667	25
131	LFA 040	1.667	13	20°	21	21.667	24.667	25

Note :

- All dimensions are in metric system except wherever indicated otherwise.
- All pumps are designed to work up to a working pressure of 30 Kg / cm<sup>2</sup>.
- Suction & delivery flanges can be provided as per SAE standards or in equivalent sizes.
- Recommended hydraulic oil is Servo-system 32 or its equivalent.
- We hold all rights to modify the internal construction of the pump from time to time, in the interest of improving the quality, except for the mounting and shaft dimension.

Ordering Code

